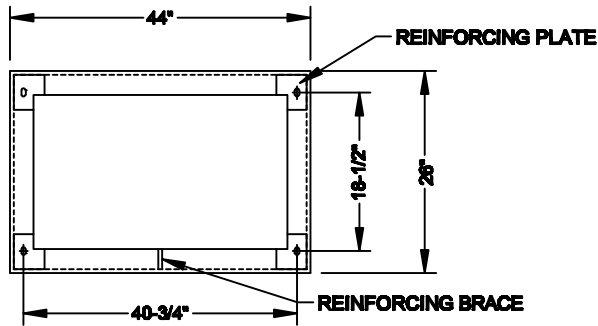


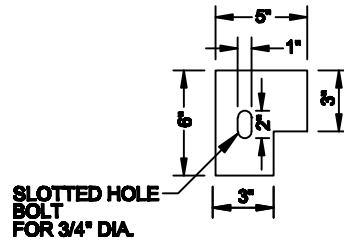
**UNIFORM STANDARD DRAWINGS
CLARK COUNTY AREA**

VOLUME II - YEAR 2010 REVISIONS

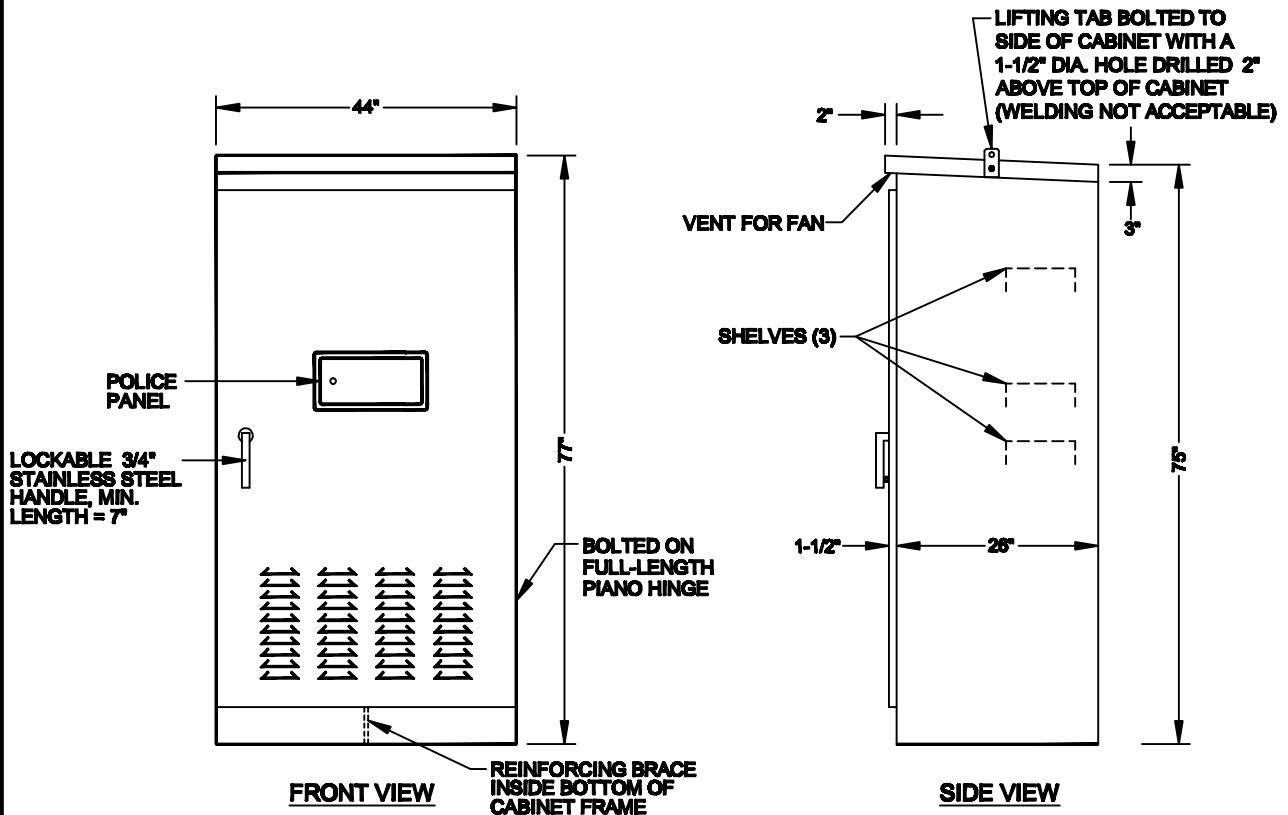
DRAWING NUMBER	TITLE AND REVISION SUMMARY	EFFECTIVE DATE
404.307	"Type VIII Cabinet" - Revisions to modify dimensions and reinforcing details.	7/01/10
404.418	"Sign Mounting Illustration" - Revisions to sign bracket requirements.	7/01/10
404.600	"Pole Drilling Details" - Revisions to dimensions for drill holes in poles.	7/01/10
404.903	"Louvered Backplate for 5 Section Signal Head" - Revisions to modify configuration of backplate.	7/01/10
404.1307	"Typical Intersection ITS Underground Layout" - New standard drawing to clarify the placement of Intelligent Transportation System (ITS) conduits at intersections.	7/01/10
404.1500	"Closed Circuit Television (CTV) Camera"; "Closed Circuit Television Camera Control Unit and Cable Wiring Diagram"; "Camera Extension Pole"; "Camera Adaptor Stand" - Revisions to provide improved visibility for traffic incident monitoring and surveillance.	7/01/10
404.1501	"Communication Distribution Cable Assembly (CDCA) in Cabinet" - Revisions to show the CDCA placement detail in the cabinet.	7/01/10



INSIDE BOLT PATTERN DETAIL



REINFORCING PLATE DETAIL

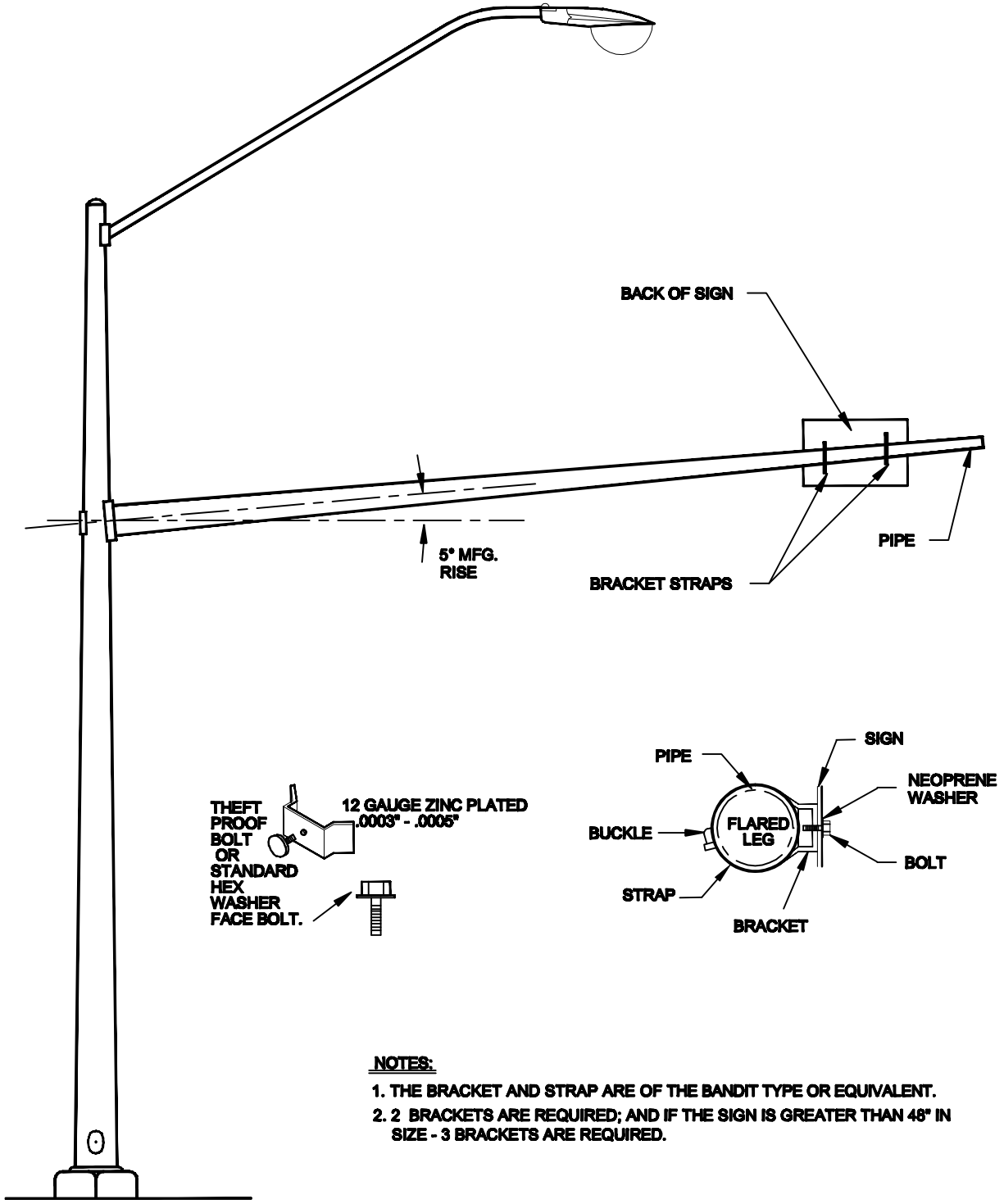


SIZE "R" CABINET

NOTES:

1. MATERIAL = 0.125" ALUMINUM
2. INTERIOR AND EXTERIOR COATING TO BE DETERMINED BY THE AGENCY.
3. SHELVES SHALL BE REMOVABLE AND ADJUSTABLE FOR VERTICAL SPACING.
4. DOOR SHALL LOCK AT THREE POINTS.
5. FOR FOUNDATION DETAILS AND ANCHOR BOLT LOCATIONS, SEE DRAWING No. 404.213.
6. INCLUDE 3/4" x 18" x 3" HOT-DIP GALVANIZED ANCHOR BOLTS WITH EACH CABINET.

SPECIFICATION REFERENCE		CLARK COUNTY, NEVADA	
		SIZE "R" CABINET	
		DATE 05/20/10	DWG. NO. 404.307



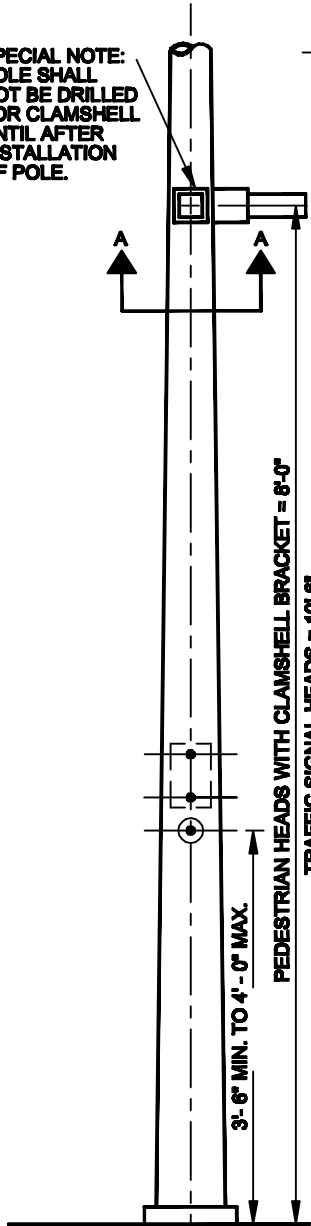
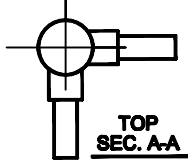
NOTES:

1. THE BRACKET AND STRAP ARE OF THE BANDIT TYPE OR EQUIVALENT.
2. 2 BRACKETS ARE REQUIRED; AND IF THE SIGN IS GREATER THAN 48" IN SIZE - 3 BRACKETS ARE REQUIRED.

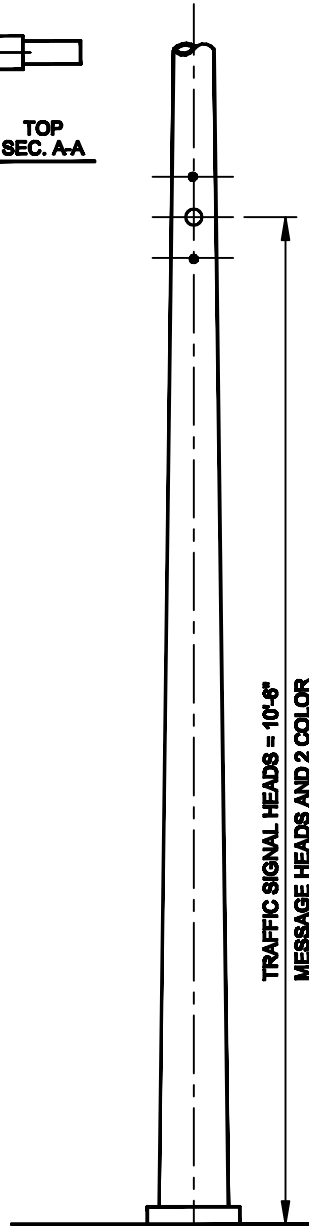
SPECIFICATION REFERENCE		UNIFORM STANDARD DRAWINGS CLARK COUNTY AREA	
		SIGN MOUNTING ILLUSTRATION	
		DATE 05-20-10	DWG. NO. 404.418

(NO SCALE)

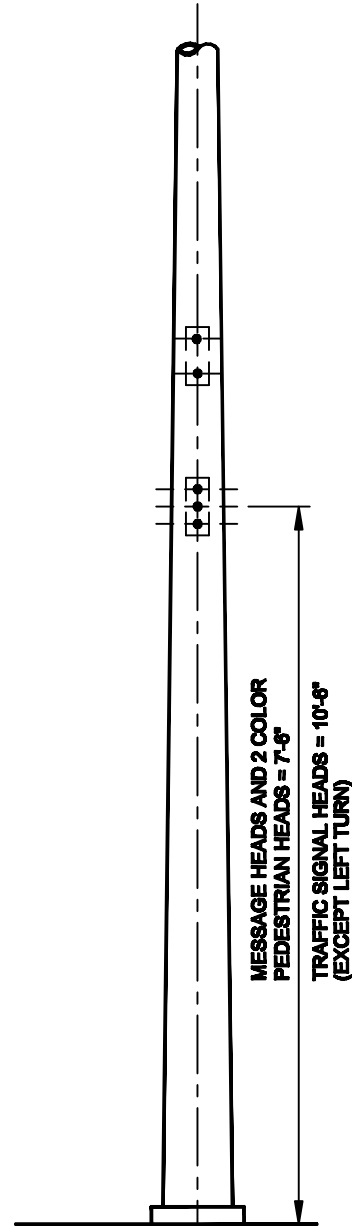
SPECIAL NOTE:
POLE SHALL
NOT BE DRILLED
FOR CLAMSHELL
UNTIL AFTER
INSTALLATION
OF POLE.



PUSH BUTTON
DRILLING DETAIL



SIDE BRACKET
DRILLING DETAIL

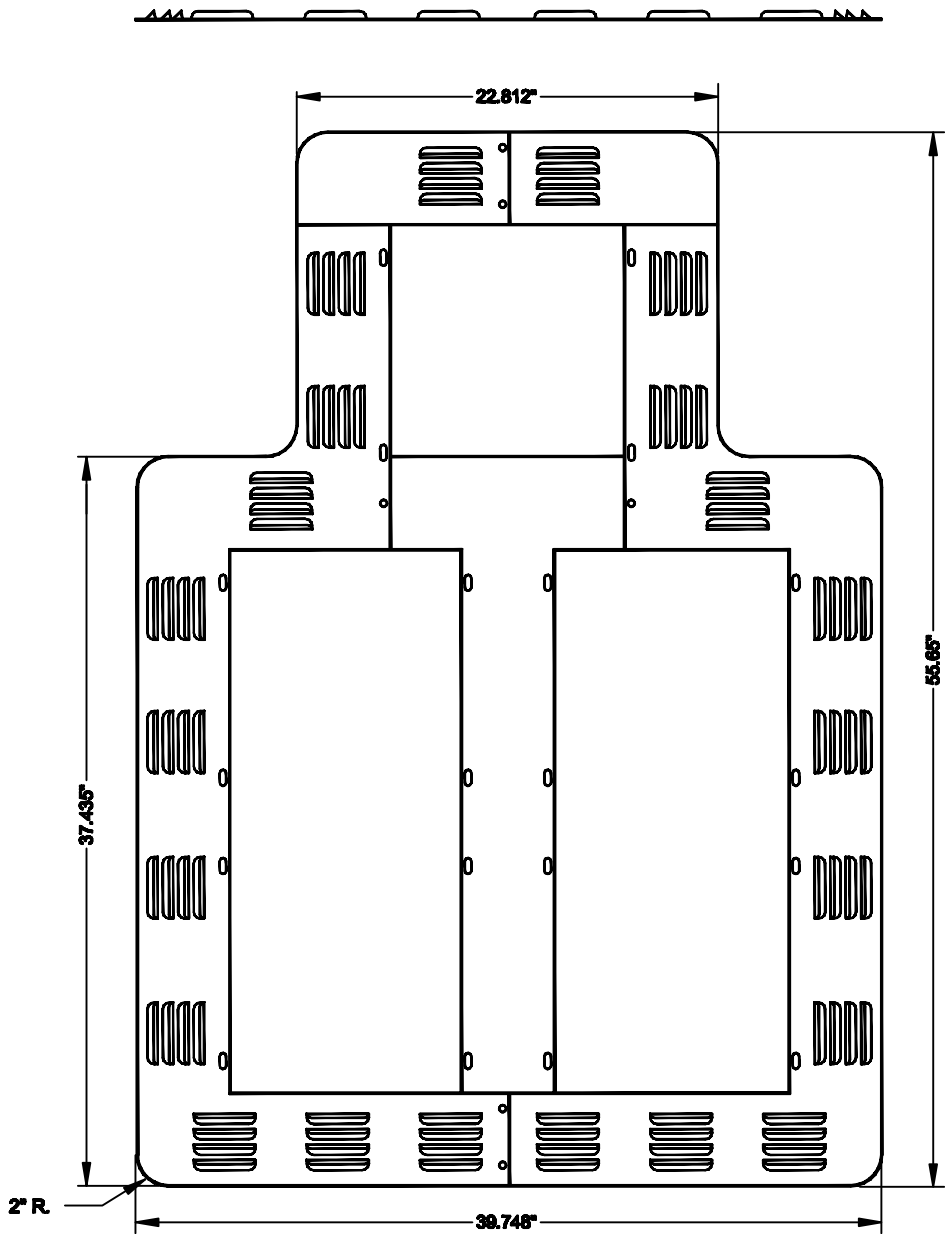


POLE PLATE
DRILLING DETAIL

NOTES:

1. DRILLING OF POLE TO BE ORIENTED ACCORDING TO POLE LAYOUT, SPECIFICATIONS, AND ENGINEER.
2. DIMENSIONS ARE FROM SIDEWALK LEVEL.
3. DIMENSIONS ARE TO WIRE INLET HOLE ONLY. USE MANUFACTURER'S TEMPLATE TO LOCATE ALL OTHER HOLES.
4. ALL HOLES ARE TO CONFORM TO MANUFACTURER'S RECOMMENDATIONS.
5. PEDESTRIAN SIGNAL HEADS SHALL BE MOUNTED WITH THE BOTTOM OF THE SIGNAL HOUSING INCLUDING BRACKETS AND PLUMBING NOT LESS THAN 7' NOR MORE THAN 10' ABOVE SIDEWALK LEVEL. TRAFFIC SIGNAL HEADS SHALL BE MOUNTED WITH THE BOTTOM OF THE SIGNAL HOUSING INCLUDING BRACKETS AND PLUMBING NOT LESS THAN 10' ABOVE SIDEWALK LEVEL.

SPECIFICATION REFERENCE		UNIFORM STANDARD DRAWINGS CLARK COUNTY AREA	
		POLE DRILLING DETAILS	
DATE	05/20/10	DWG. NO.	404.600



PAINT: FLAT BLACK

SHOWN 5 SECTION, 12" SIGNAL
HEAD BACKPLATE WITH
ELEVATOR PLUMBIZER

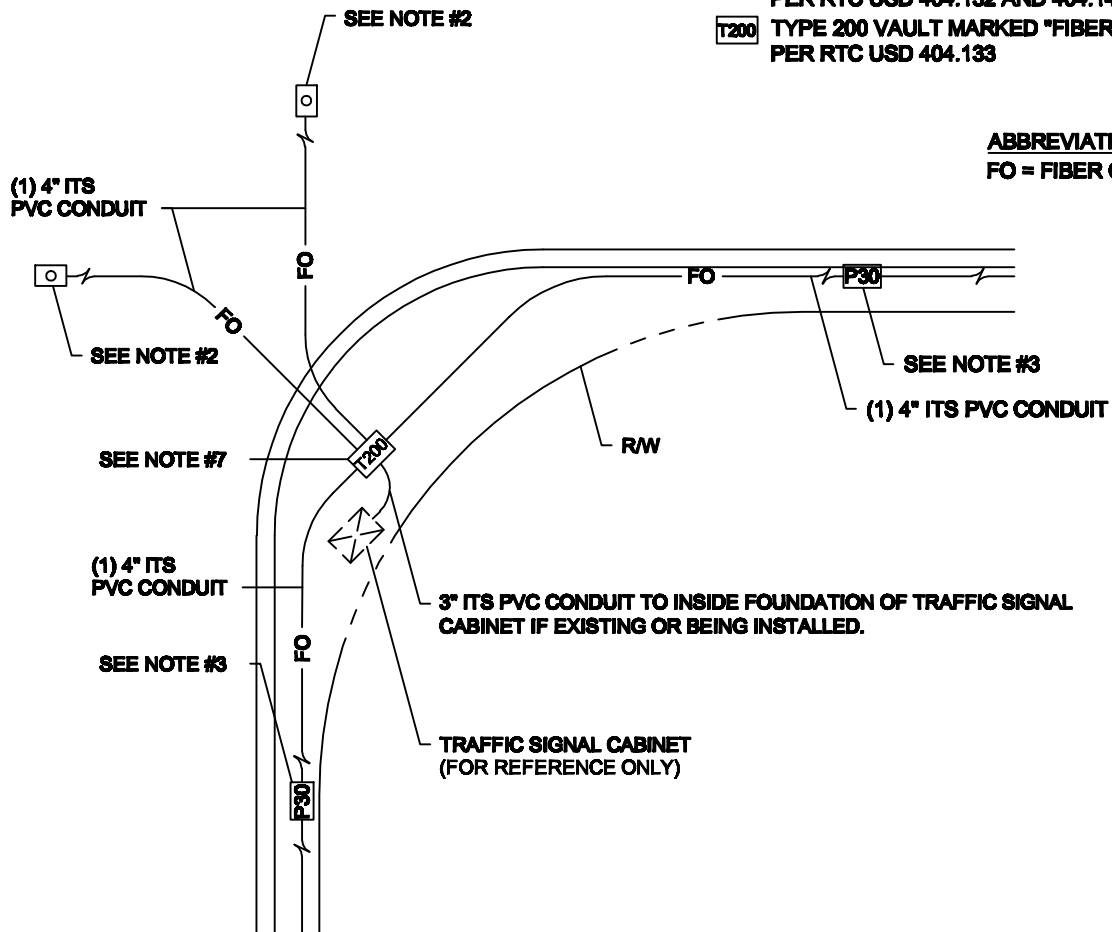
REFER TO DRAWING NO. 404.1029

SPECIFICATION REFERENCE		UNIFORM STANDARD DRAWINGS CLARK COUNTY AREA	
		LOUVERED BACKPLATE FOR 5 SECTION SIGNAL HEAD	
		DATE 05/20/10	DWG. NO. 404.903

LEGEND

- NO. 3-1/2 PULL BOX MARKED "FIBER OPTIC" PER RTC USD 404.110
- P30 P30 PULL BOX MARKED "FIBER OPTIC" PER RTC USD 404.132 AND 404.144
- T200 TYPE 200 VAULT MARKED "FIBER OPTIC" PER RTC USD 404.133

ABBREVIATIONS
FO = FIBER OPTIC



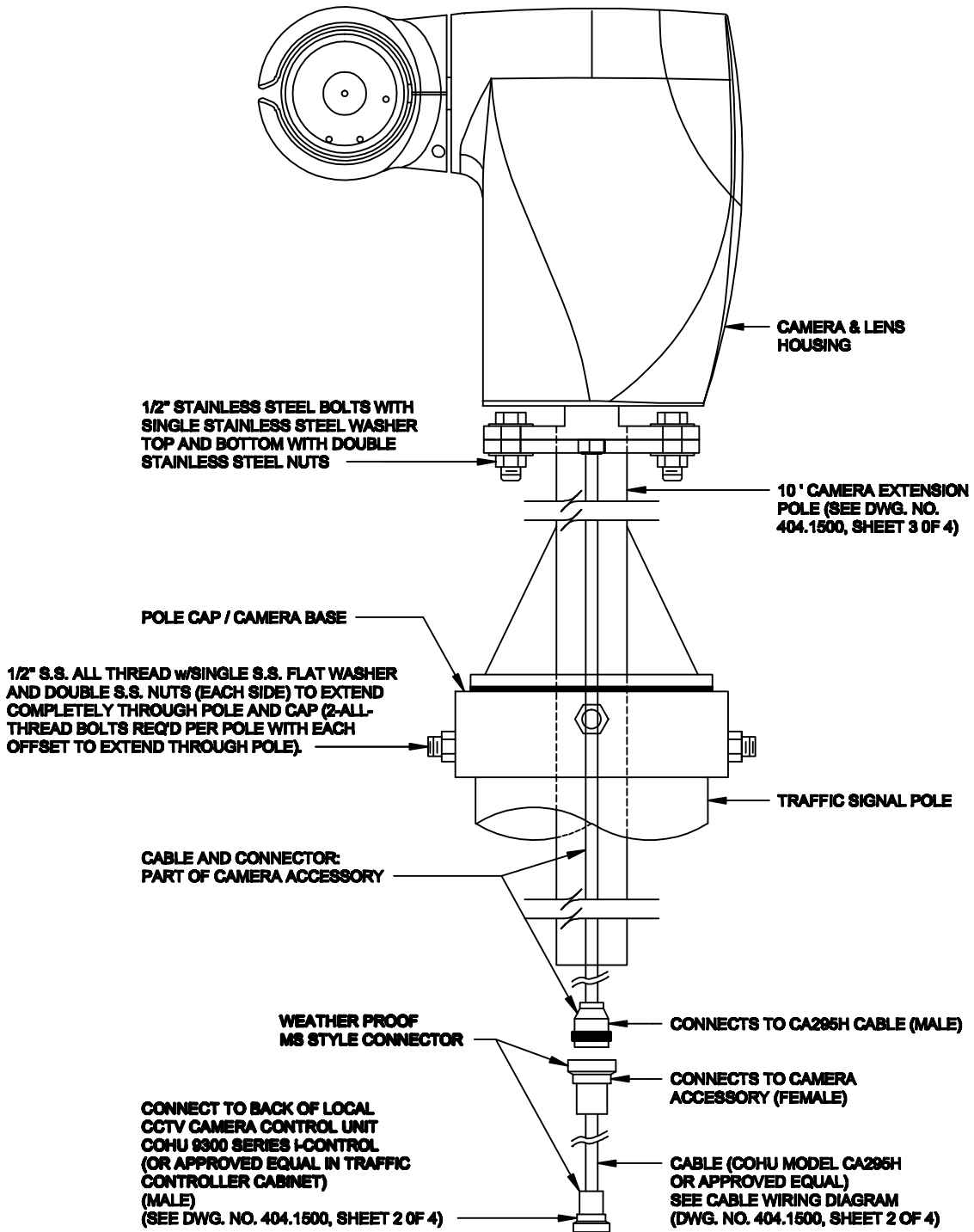
NOTES:

1. ALL ITS CONDUITS SHALL HAVE A 6-PAIR, REA-PE39 #22 AWG TWISTED WIRE PAIR CABLE INSTALLED.
2. ANY EXISTING ITS CONDUITS FROM THE OPPOSING SIDE OF THE STREET SHALL BE CONNECTED TO PROPOSED CONDUITS USING THE SAME SIZE CONDUIT. IF UNDERGROUNDS DO NOT EXIST, THEN PROPOSED CONDUITS SHALL BE EXTENDED 5' PAST THE EXISTING OR PROPOSED EDGE OF PAVEMENT TO A #3-1/2 PULL BOX MARKED "FIBER OPTIC".
3. FIBER OPTIC CONDUIT SHALL BE INSTALLED WITH P30 PULL BOXES PLACED AT A MAXIMUM SPACING OF 1000', BUT SHALL NOT BE INSTALLED WITHIN 5' OF THE POINT OF CURVATURE (PC) OF THE R/W RADIUS, IN SIDEWALK RAMPS OR DRIVEWAYS. THE ITS CONDUITS SHALL BE CONNECTED TO THE EXISTING ITS CONDUITS OR, IF NOT EXISTING, AN ADDITIONAL P30 PULL BOX SHALL BE INSTALLED AT THE PROPOSED DEVELOPMENT'S PROPERTY LINE.
4. ALL CONDUIT BENDS SHALL BE PVC COATED RIGID w/ A MINIMUM RADIUS OF 36 INCHES.
5. ALL ITS PULL BOXES SHALL HAVE A POLYMER COMPOSITE BODY w/ RESIN POLYMER REINFORCED NON-CONDUCTIVE COVER MARKED "FIBER OPTIC".
6. UNDERGROUND ORANGE MARKING TAPE SHALL BE PLACED 12 INCHES ABOVE THE INSTALLED CONDUIT AND MARKED WITH THE LEGEND "FIBER OPTIC".
7. IF TRAFFIC SIGNAL CABINET EXISTS OR IS BEING INSTALLED ON CORNER, INSTALL TYPE 200 VAULT PER 404.133 AND 404.1306 WITH ITS CONDUIT INTO TRAFFIC SIGNAL CABINET. IF TRAFFIC SIGNAL CABINET DOES NOT EXIST OR IS NOT BEING INSTALLED IN CORNER, INSTALL P30 PULL BOX.

SPECIFICATION REFERENCE		UNIFORM STANDARD DRAWINGS CLARK COUNTY AREA	
623	TRAFFIC SIGNAL & STREET LIGHTING	TYPICAL INTERSECTION ITS UNDERGROUND LAYOUT	
		DATE 05-20-10	DWG. NO. 404.1307

CCTV CAMERA

COHU 3965 - 4101
(OR APPROVED EQUAL)

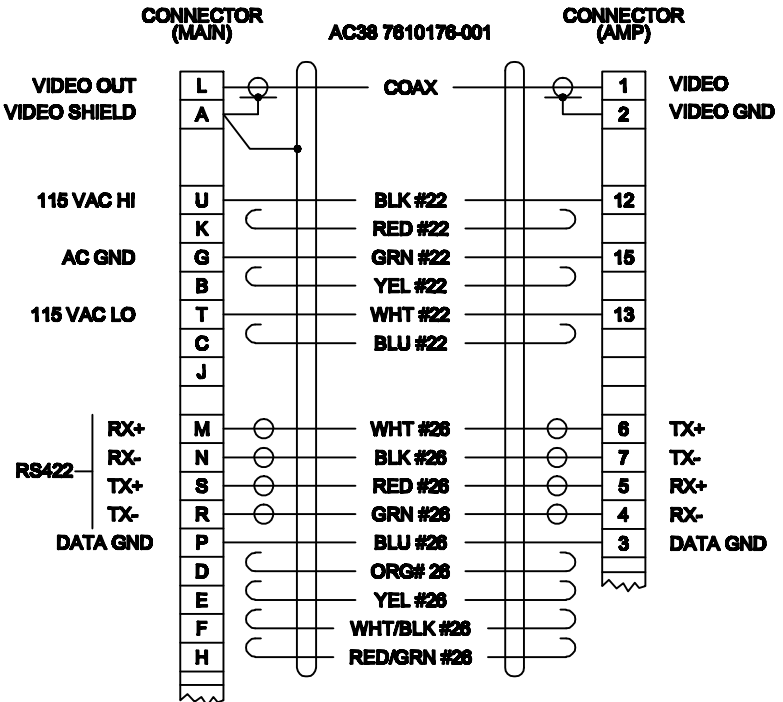


SPECIFICATION REFERENCE	
685	VIDEO ENCODER
686	VIDEO DECODER
687	CCTV FIELD EQUIPMENT

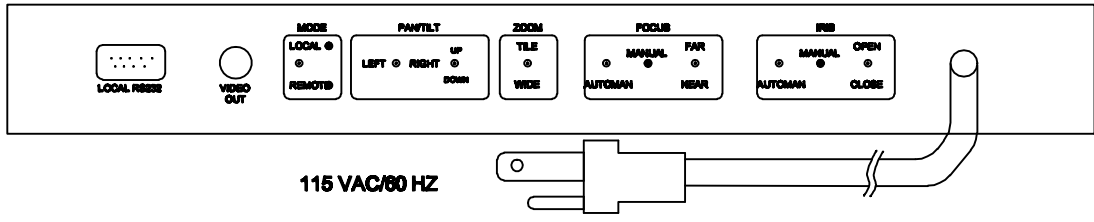
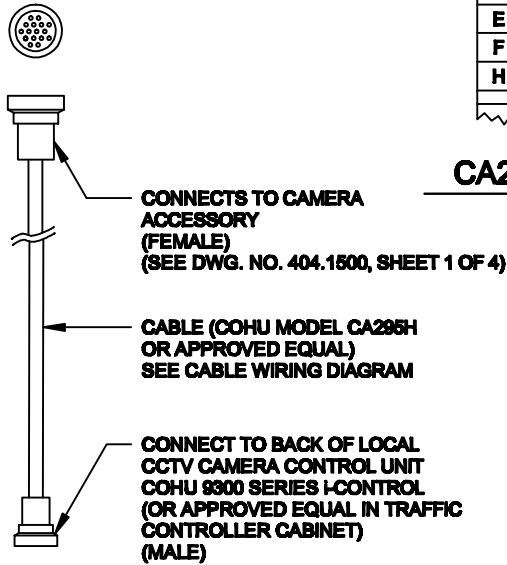
UNIFORM STANDARD DRAWINGS CLARK COUNTY AREA		
CLOSED CIRCUIT TELEVISION (CCTV) CAMERA		
DATE 04-08-10	DWG. NO. 404.1500	SHEET 1 OF 4

NOTE:

- IF PULLING CCTV CABLE IN EXISTING SIGNAL CONDUIT, AGENCY APPROVAL REQUIRED FOR METHOD OF INSTALLATION.



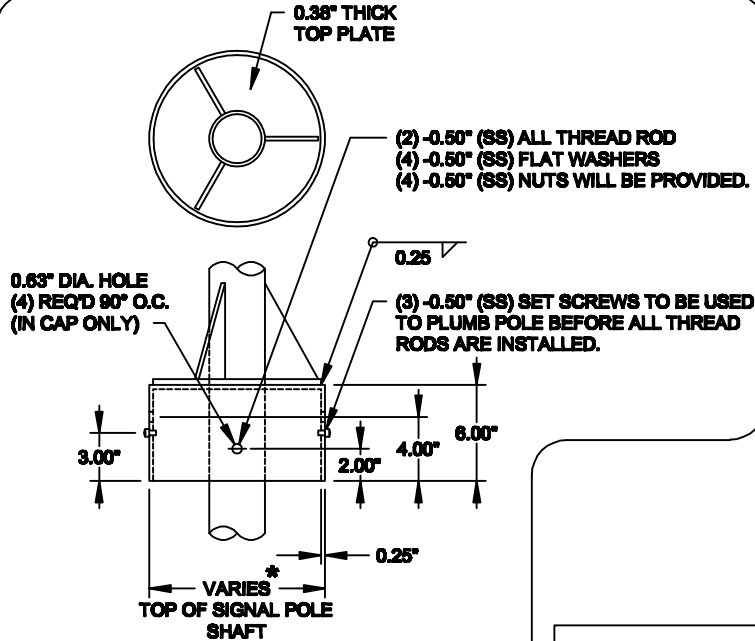
CCTV CAMERA CA295H CABLE WIRING DIAGRAM



LOCAL CCTV CAMERA CONTROL UNIT COHU 9300 SERIES I-CONTROL (OR APPROVED EQUAL) (IN TRAFFIC CONTROLLER CABINET)

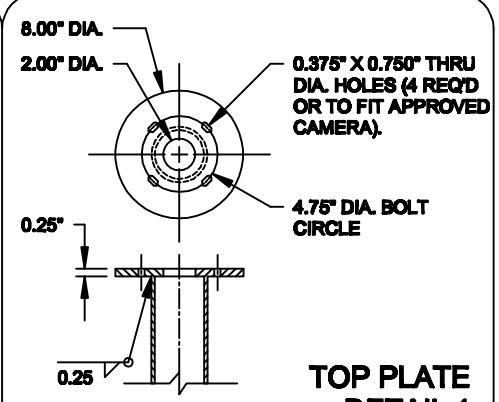
SPECIFICATION REFERENCE		UNIFORM STANDARD DRAWINGS CLARK COUNTY AREA	
685	VIDEO ENCODER	CLOSED CIRCUIT TELEVISION CAMERA CONTROL UNIT AND CABLE WIRING DIAGRAM	
686	VIDEO DECODER		
687	CCTV FIELD EQUIPMENT		
		DATE 04-08-10	DWG. NO. 404.1500
		SHEET 2 OF 4	

CAMERA EXTENSION POLE
(REQUIRED FOR POLE CAP MOUNTING)

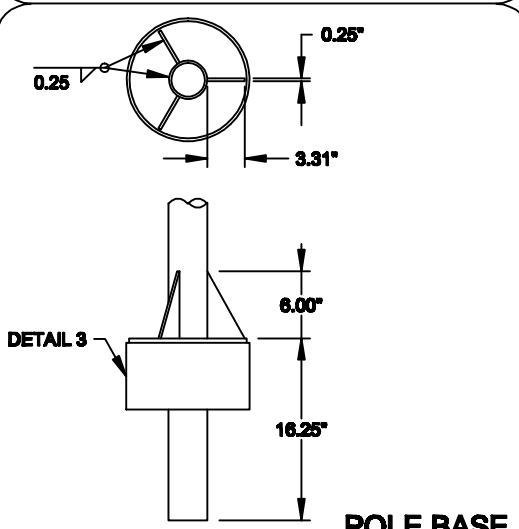


* CONTRACTOR TO FIELD MEASURE TOP OF EXISTING OR PROPOSED TRAFFIC SIGNAL POLE SHAFT BEFORE FABRICATION OF CAP.

**POLE EXTENSION CAP
DETAIL 3**



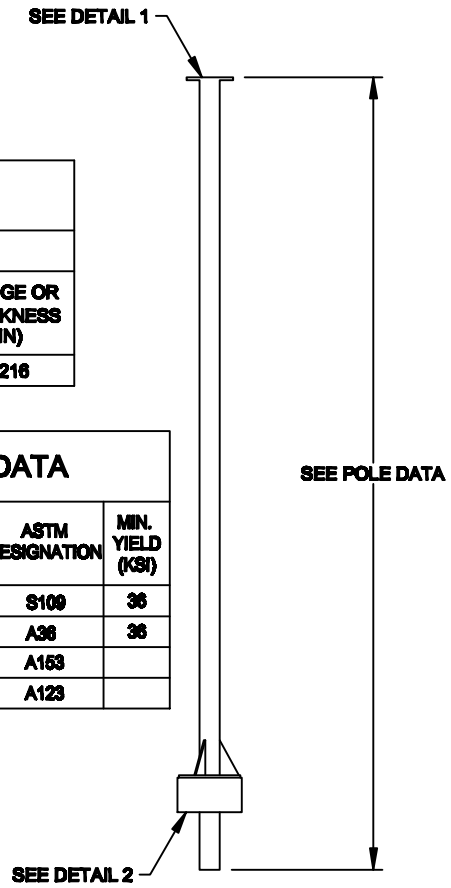
**TOP PLATE
DETAIL 1**



**POLE BASE
DETAIL 2**

POLE DATA		
POLE TUBE		
BASE DIA. (IN)	LENGTH (FT)	GAUGE OR THICKNESS (IN)
3.50	11.35	0.216

MATERIAL DATA		
COMPONENT	ASTM DESIGNATION	MIN. YIELD (KSI)
POLE TUBE	S109	36
PLATES	A36	36
GALVANIZING - HARDWARE	A153	
GALVANIZING - STRUCTURE	A123	



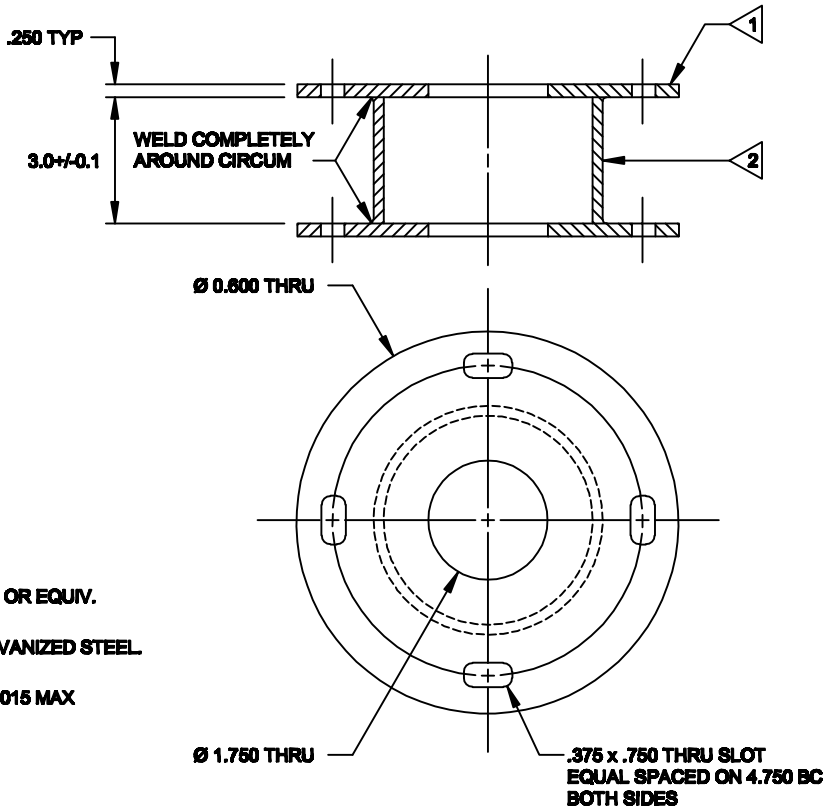
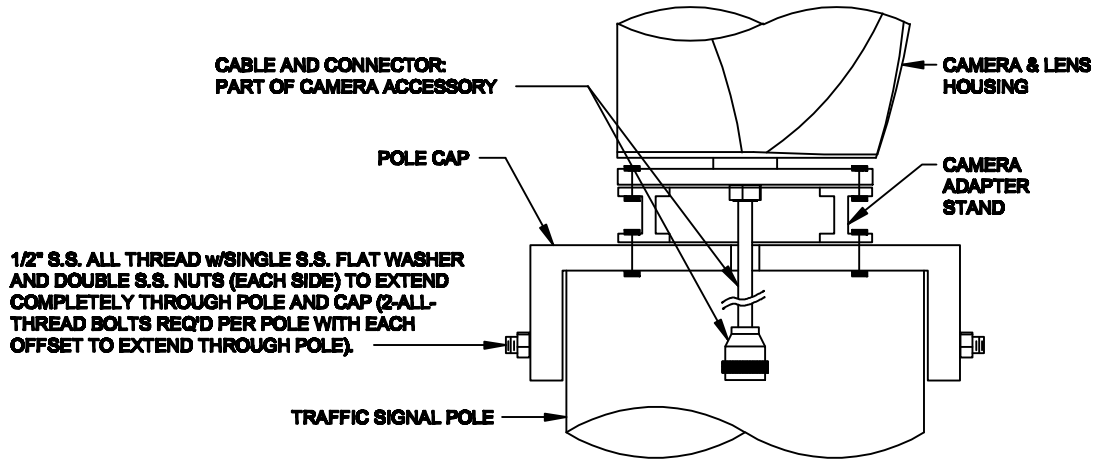
SPECIFICATION REFERENCE	
685	VIDEO ENCODER
686	VIDEO DECODER
687	CCTV FIELD EQUIPMENT

**UNIFORM STANDARD DRAWINGS
CLARK COUNTY AREA**

CAMERA EXTENSION POLE

DATE 04-08-10	DWG. NO. 404.1500	SHEET 3 OF 4
---------------	-------------------	--------------

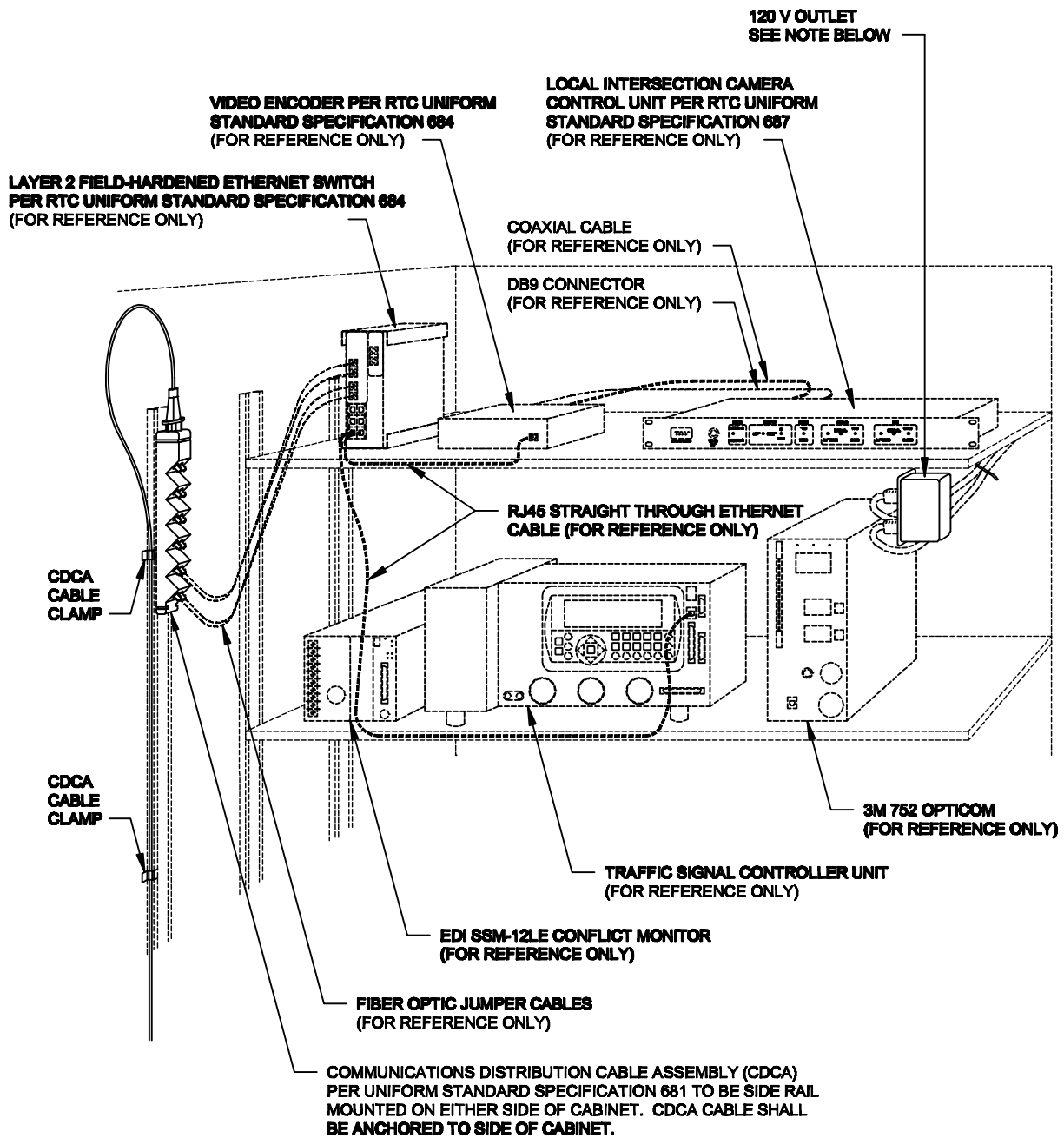
CAMERA ADAPTER STAND
(REQUIRED FOR POLE CAP MOUNTING)



- 1. MAT'L (FLANGE): 1018 STEEL OR EQUIV.
- 2. MAT'L (TUBE): \varnothing 3.5 X 1/8 WALL 1018 STEEL OR EQUIV.
- 3. ALL POLE AND CAP MATERIALS TO BE GALVANIZED STEEL
- 4. REMOVE ALL BURRS AND SHARP EDGES 0.015 MAX

NOTE:
CAMERA STAND TO BE USED ONLY TO AVOID CONFLICT WITH OVERHEAD POWER LINES. AGENCY APPROVAL REQUIRED.

SPECIFICATION REFERENCE		UNIFORM STANDARD DRAWINGS CLARK COUNTY AREA	
685	VIDEO ENCODER	CAMERA ADAPTOR STAND	
686	VIDEO DECODER		
687	CCTV FIELD EQUIPMENT		
		DATE 04-08-10	DWG. NO. 404.1500
		SHEET 4 OF 4	



NOTE:

AN ADDITIONAL 120V OUTLET TO BE INSTALLED ON SIDE RAIL, NEAR TOP, FOR ITS EQUIPMENT ON EITHER SIDE OF CABINET. LOCATION TO BE APPROVED BY AGENCY ENGINEER BEFORE INSTALLATION. **MAXIMUM OF FOUR OUTLETS PER CABINET.**

SPECIFICATION REFERENCE		UNIFORM STANDARD DRAWINGS CLARK COUNTY AREA		
681	FIBER OPTIC SPLICE AND DISTRIBUTION EQUIPMENT	COMMUNICATION DISTRIBUTION CABLE ASSEMBLY (CDCA) IN CABINET		
		DATE 04-08-10	DWG. NO. 404.1501	SHEET 1 OF 1