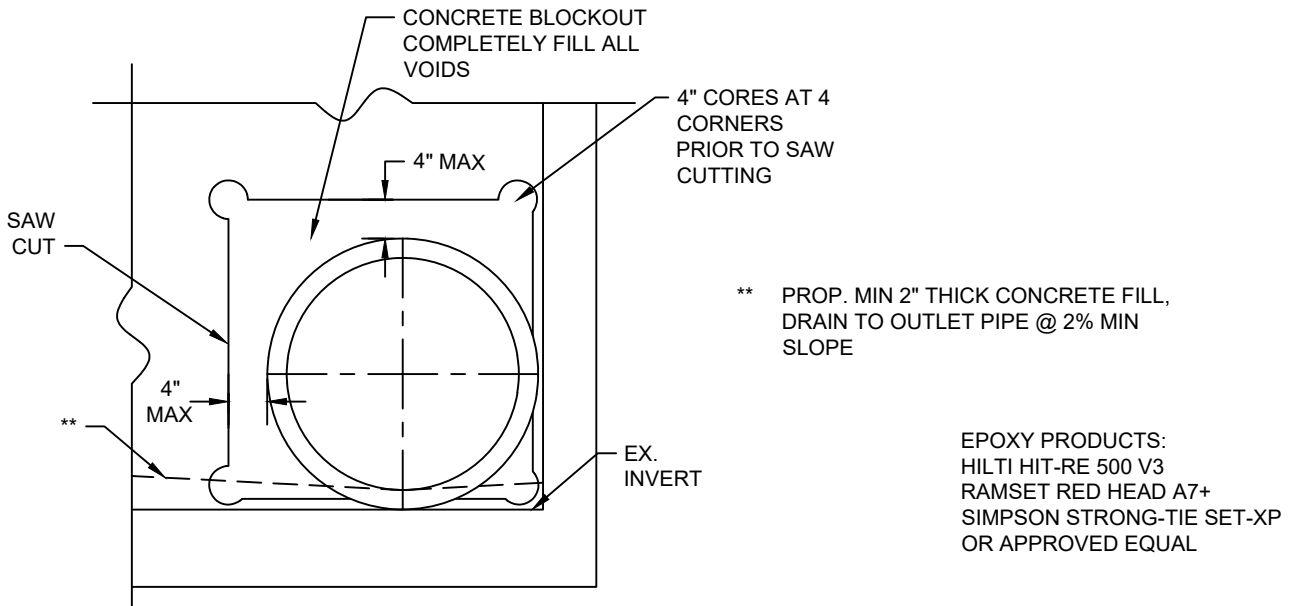


DETAIL A: 18" TO 60" PIPE PENETRATION REINFORCEMENT  
 DOWEL HOOKS NOT SHOWN FOR CLARITY  
 REINFORCEMENT CLEAR COVER 3" MINIMUM, ROTATE\* DOWEL HOOKS AS REQUIRED



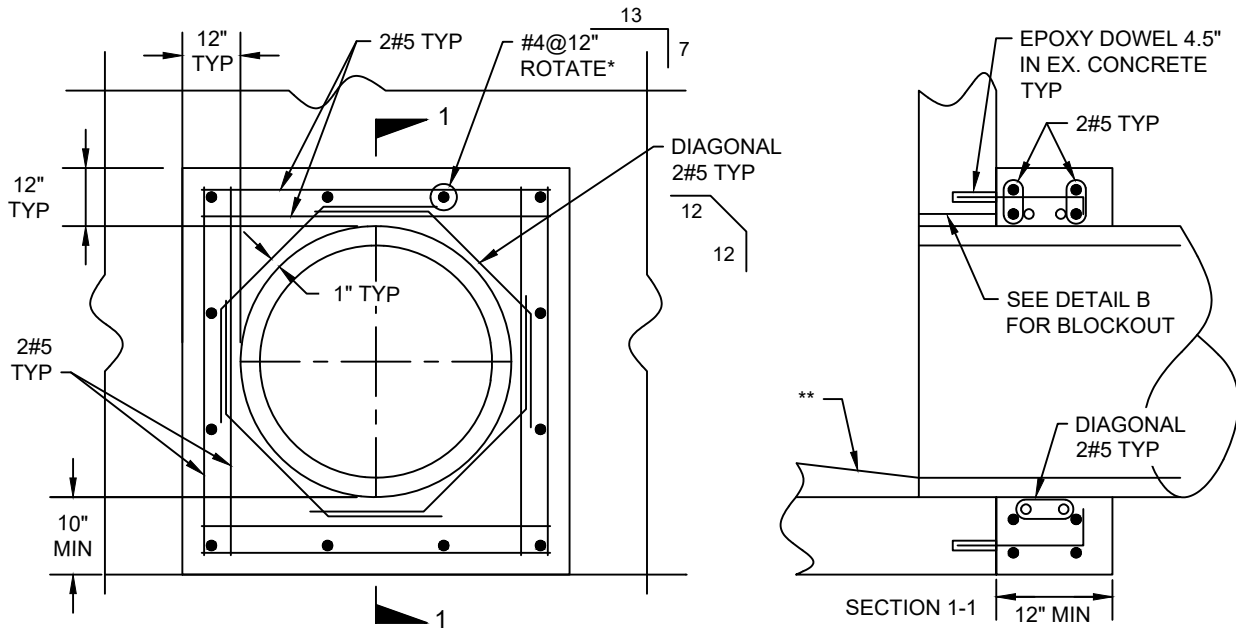
DETAIL B: 18" TO 60" PIPE BLOCKOUT

EDGE WALL PIPE CONNECTION

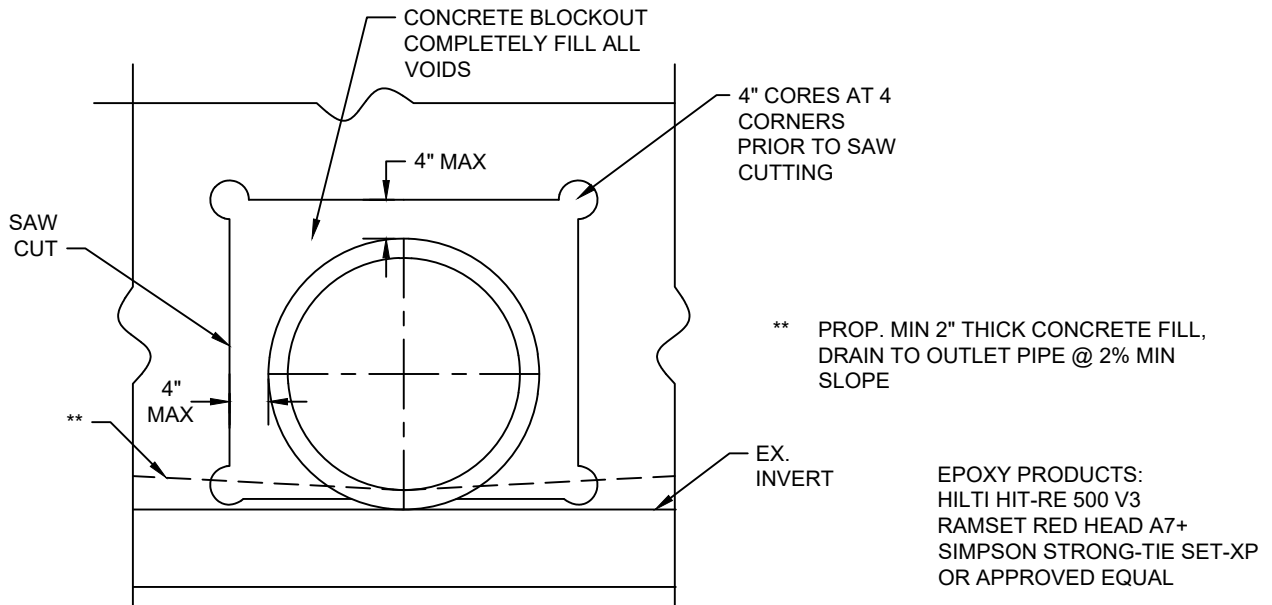
\*\* PROP. MIN 2" THICK CONCRETE FILL,  
 DRAIN TO OUTLET PIPE @ 2% MIN  
 SLOPE

EPOXY PRODUCTS:  
 HILTI HIT-RE 500 V3  
 RAMSET RED HEAD A7+  
 SIMPSON STRONG-TIE SET-XP  
 OR APPROVED EQUAL

AGENCY APPROVED		B	C	H	L	M	N
SPECIFICATION REFERENCE		UNIFORM STANDARD DRAWINGS CLARK COUNTY AREA					
501	CONCRETE	DROP INLET AND OTHER FLAT WALL STRUCTURES PIPE CONNECTION					
501	CONCRETE STRUCTURES						
501	REINFORCING STEEL						
501	STEEL						
DATE 12-11-25		DWG. NO. 423			SHEET 1 OF 2		



DETAIL A: 18" TO 60" PIPE PENETRATION REINFORCEMENT  
 DOWEL HOOKS NOT SHOWN FOR CLARITY  
 REINFORCEMENT CLEAR COVER 3" MINIMUM, ROTATE\* DOWEL HOOKS AS REQUIRED



DETAIL B: 18" TO 60" PIPE BLOCKOUT

MID WALL PIPE CONNECTION

AGENCY APPROVED		B	C	H	L	M	N
SPECIFICATION REFERENCE		UNIFORM STANDARD DRAWINGS CLARK COUNTY AREA					
501	CONCRETE	DROP INLET AND OTHER FLAT WALL STRUCTURES PIPE CONNECTION					
501	CONCRETE STRUCTURES						
501	REINFORCING STEEL						
501	STEEL						
DATE	12-11-25	DWG. NO.	423	SHEET 2 OF 2			