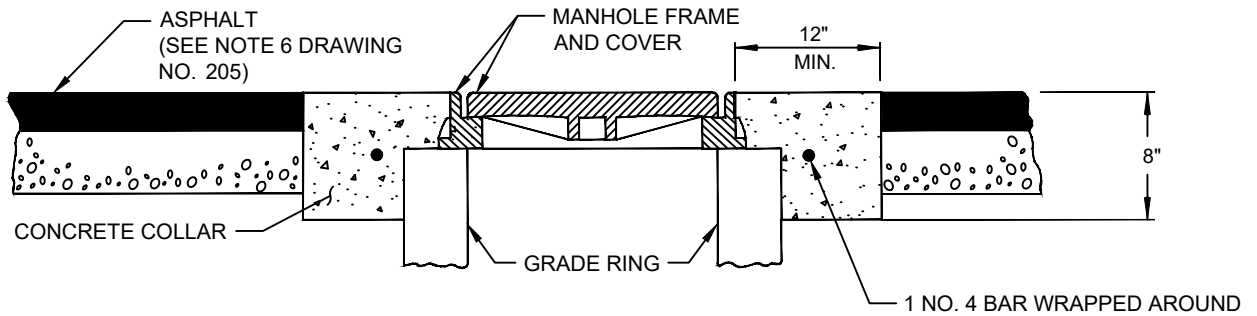


PLAN



SECTION A-A

NOTES

1. CONCRETE COLLAR, FRAME, AND COVER SHALL BE CONSTRUCTED 1/8" BELOW THE ADJACENT SURFACE, $\pm 1/16"$.
2. CONCRETE COLLAR NOT REQUIRED IN UNINCORPORATED CLARK COUNTY RESIDENTIAL STREETS LESS THAN 80' R/W WIDTH.
3. IF MANHOLE IS MORE THAN 1-1/2" ABOVE OR BELOW THE ADJACENT ROADWAY SURFACE, MANHOLE SHALL BE ADJUSTED TO GRADE BY UTILITY OWNER.
4. IF MANHOLE IS MORE THAN 1/4" ABOVE OR BELOW THE ADJACENT ROADWAY SURFACE IN A BICYCLE LANE, MANHOLE SHALL BE ADJUSTED TO GRADE BY UTILITY OWNER.
5. WHEN INSTALLED WITHIN PEDESTRIAN ACCESS ROUTES, TOP OF MANHOLE COVERS SHALL HAVE NO VERTICAL SURFACE DISCONTINUITIES GREATER THAN 1/4" WITH ADJACENT SURFACE, HAVE NO GAPS GREATER THAN 1/2" REGARDLESS OF CONSTRUCTION TOLERANCES, AND BE FIRM, STABLE, AND SLIP RESISTANT.

AGENCY APPROVED _____ L _____

SPECIFICATION REFERENCE		UNIFORM STANDARD DRAWINGS CLARK COUNTY AREA	
501	CONCRETE	SUPPLEMENTAL DRAWING	
505	REINFORCING STEEL	CONCRETE COLLAR AROUND MANHOLES	
		DATE 01-09-20 DWG. NO. 408.S1	